

# PCA1324 \_\_-LJ \_\_-\_\_

## PCX POLYMER CONCRETE ASSEMBLY

13" x 24" x XX"

(For actual dimensions see drawing)

### SEE LOCKJAW PART NUMBER CONFIGURATION ON NEXT PAGE

Polymer Concrete Assembly, Straight Sides, No Floor, WUC 3.6, ANSI/SCTE 77- "T22/32K," LockJaw Security Cover

### AVAILABLE DEPTHS

- 12"
- 18"
- 24"

### LOAD RATINGS

Incidental Traffic - Parking Lot, Sidewalk

Conforms to:

- WUC 3.6
- ASTM C 857
- ANSI/SCTE 77

### FEATURES:

- USDA/RUS Approved
- UL Classified Polymer Concrete
- Shipped assembled
- TDG Security Bolts
- Keyhole Dirt Plugs

**newbasis**  
Composites for Infrastructure

2626 Kansas Avenue  
Riverside, California 92507

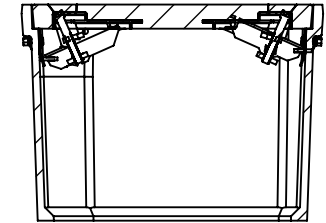
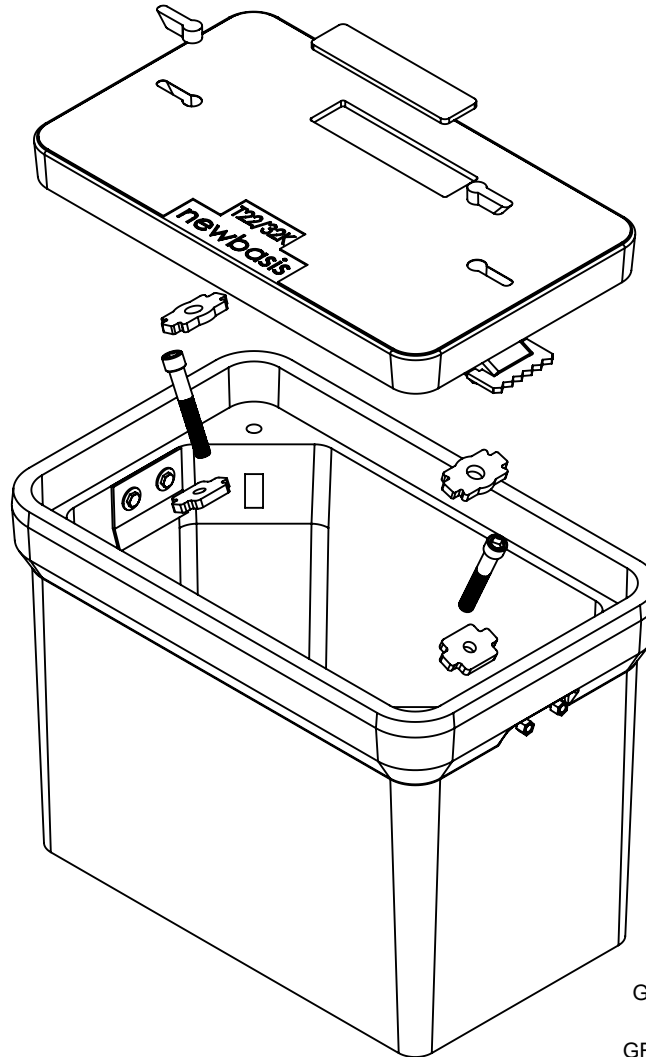
951.787.0600

951.787.0632 (fax)

info@newbasis.com

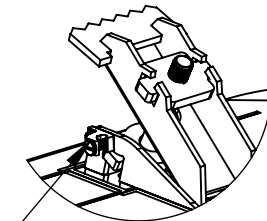
newbasis.com

**lockjaw**  
STOP COPPER THEFT



SECTION VIEW  
SIDE WALL

GROUND LUG  
(4-14 AWG  
GROUND WIRE)



GROUND LUG DETAIL  
(1 PLACE EACH LOCKJAW)

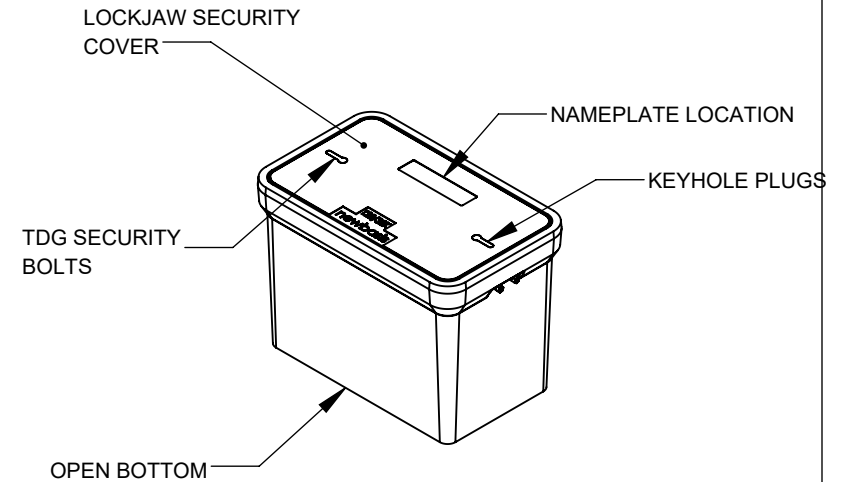
Rev: A.0

# PCA1324 \_\_-LJ\_\_ PCX POLYMER CONCRETE ASSEMBLY

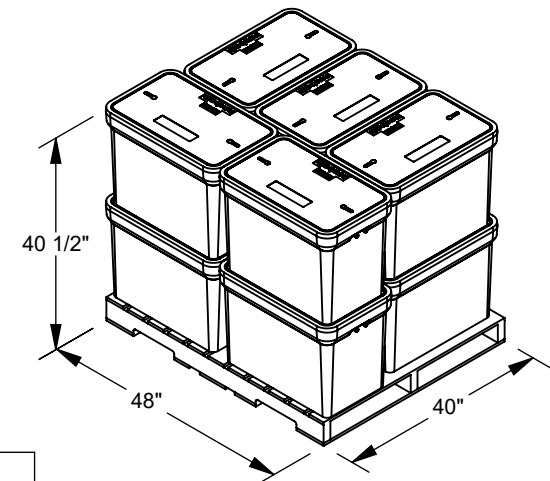


## AVAILABLE CONFIGURATIONS

	Depth		Cover Marking	Security Bolt Type	Extras*
PCA1324	__	- LJ	__	__	__
	12		<b>X</b> = TBD / Don't Know Yet	<b>X</b> = 5 Point STANDARD	<b>X</b> = Standard, No Extras
	18		<b>B</b> = BLANK	<b>3</b> = 3 Point Bolt	
	24		<b>R</b> = RECESS for NamePlate	<b>7</b> = 7 Point Bolt	<b>R</b> = Racks
			<b>C</b> = Custom**	<b>9</b> = 9 Point Bolt	<b>M</b> = Mouseholes
			<b>A</b> = CATV		<b>B</b> = Racks & MH
			<b>D</b> = BROADBAND		<b>C</b> = Custom**
			<b>E</b> = ELECTRIC		
			<b>F</b> = FIBER OPTIC		
			<b>G</b> = GROUND		
			<b>I</b> = ILLUMINATION		
			<b>L</b> = LIGHTING		
			<b>O</b> = COMMUNICATIONS		
			<b>P</b> = TELEPHONE		
			<b>H</b> = TRAFFIC		
			<b>S</b> = STREET LIGHTING		
			<b>T</b> = TRAFFIC SIGNAL		
			<b>W</b> = WATER		



## PACKAGING (Steel Banding, Edge Protection)



PALLET QTY	
12"	15
18"	10
24"	10

PALLET QUANTITY REPRESENTATION ONLY