

FTTX-MDU Micro Molding™

Stock ID	Description
039-642-10	Ivory w/ Adhesive
039-642-11	Linen White w/ Adhesive
039-643-10	Ivory w/o Adhesive
039-643-11	Linen White w/o Adhesive

Table of Contents

General	2
1. Introduction	2
1.1 Product Description	
1.2 Micro Molding™ Dimensional Drawing	
2. Preparations	3
2.1 Installation Outline	
2.2 Micro Molding™ Checklist	
3. Installation	4
3.1 Measuring.....	4
3.2 Drilling & Inserting Plug.....	4
3.3 Molding Alignment.....	4
3.4a Mounting Option 1 - Adhesive Backing.....	4
3.4b Mounting Option 2 - Screws Mounting.....	5
3.5 Prep 900µm Fiber.....	5
3.6 Placing Fiber into the Micro Molding™.....	5
3.7 Access Deployment Accessories.....	5



youtube.com/gomultilink

Contact Us

North America	Europe, Middle East & Africa	Latin & South America
Tel: +1 440 366 6966 Fax: +1 440 366 6802 Email: engsupport@gomultilink.com	Tel: +1 440 366 6966 Fax: +1 440 366 6802 Email: engsupport@gomultilink.com	Tel: +1 954 499 9203 Mobile: +1 305 684 2388 Email: hquinones@gomultilink.com

General

This installation guide provides instructions for preparation, installation and application of Multilink's Micro Molding™. This fiber deployment raceway system is designed to accommodate up to twelve 900µm fiber. This guide is intended for installers who are familiar with optical fiber cable systems and their applications.

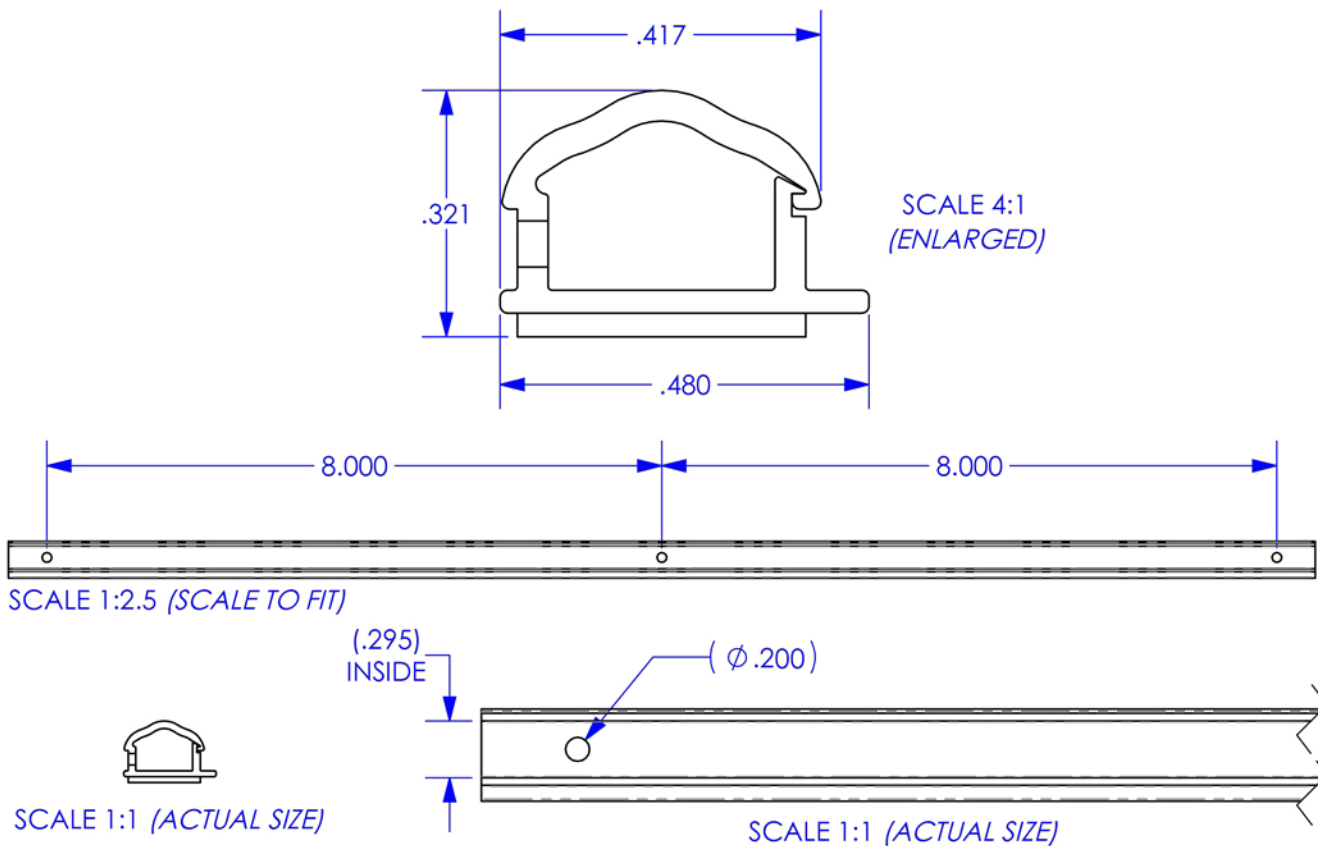
1. Introduction

1.1 Product Description

Multilink's Micro Molding™ is a compact design perfectly suited for interior use in Multi Dwelling Units (MDU's) and commercial applications.



1.2 Micro Molding™ Dimensional Drawing



2. Preparations

2.1 Installation Outline

The general procedure of Micro Molding™ installation include:

- Drilling an appropriate hole to insert the Fiber Feed Plug (649-223-10).
- Creating installation alignment by measuring the Micro Molding™ from the Fiber Feed Plug.
- Attaching Micro Molding™ to the appropriate wall surface using adhesive backing and/or mounting via Multilink Approved Screws (630-439-20 / 100 Pack).
- Installing/placing 900µm fiber into Multilink's Micro Molding™ using Multilink's Caddy Rack & Fiber Feed Stand (072-429-50).
- Running the 900µm fiber the entire route from FTTX entry location to each Fiber Feed Plug installed through the building.
- Using the appropriate accessories along the Micro Molding™ path to cover exposed seams and to make the necessary transitions.

2.2 Micro Molding™ Checklist

- Micro Molding™ & Access Deployment Accessories *(order as required by application)*

	Stock ID	Description
	039-642-10	Ivory w/ Adhesive Backing
	039-642-11	Linen White w/ Adhesive Backing
	039-643-10	Ivory w/o Adhesive Backing
	039-643-11	Linen White w/o Adhesive Backing
	649-223-20	Fiber Feed Plug Ivory 10 Pack
	649-223-21	Fiber Feed Plug Linen White 10 Pack
	649-222-20	Seam Cover Ivory 10 Pack
	649-222-21	Seam Cover Linen White 10 Pack
	649-225-20	Access Deployment Cap Ivory 10 Pack
	649-225-21	Access Deployment Cap Linen White 10 Pack
	649-228-20	Access Deployment Left Hand End Cap Ivory 10 Pack
	649-228-21	Access Deployment Left Hand End Cap Linen White 10 Pack
	649-224-20	Access Deployment Right Hand End Cap Ivory 10 Pack
	649-224-21	Access Deployment Right Hand End Cap Linen White 10 Pack
	649-226-20	3-Way Fitting Ivory 10 Pack
	649-226-21	3-Way Fitting Linen White 10 Pack
	649-227-20	4-Way Fitting Ivory 10 Pack
	649-227-21	4-Way Fitting Linen White 10 Pack

- 900µm Fiber *(length as required by application)*
- Multilink Approved Mounting Screws (630-439-20 / 100 Pack) *(optional purchase)*
- Appropriate Sized Floor Mat *(not provided)*
- 1/2" Size Drill Bit & Cordless Drill *(not provided)*
- Safety Glasses *(not provided)*

3. Installation

3.1 Measuring

Measure and place an indicator on the location that the Fiber Feed Plug will be installed in the wall surface. The number of Fiber Feed Plugs required will be determined by the number of users in a building. Micro Molding™ allows up to twelve 900µm fibers to be placed into the fiber deployment raceway system.



3.2 Drilling & Inserting Plug

Before drilling, make sure the marked drill location is clear of any equipment including but not limited to plumbing and/or electrical installation behind the wall. Use of floor mat is recommended to protect flooring from any debris. Use the appropriate drill bit size of 1/2" and drill the hole for the Fiber Feed Plug. Remove any debris then push the Fiber Feed Plug into the drilled hole till it is completely flush against the wall.



3.3 Molding Alignment

Using the Access Deployment Accessories, create indicators for the Micro Molding™ at your desired orientation (horizontal or vertical). Use of a laser line level is recommended to insure proper alignment of Micro Molding™ sections.



3.4a Mounting Option 1 - Adhesive Backing

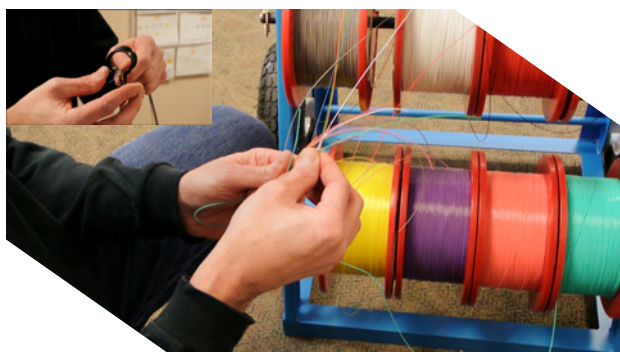
If using screw mounting method skip to 3.4b. Remove the adhesive backing and secure the Micro Molding™ to the wall surface following the alignment indicators made in the previous step. Make sure that the Micro Molding™ runs flush to the Fiber Feed Plug when mounting.



3. Installation (Cont.)

3.4b Mounting Option 2 - Screw Mounting

Multilink's Micro Molding™ comes with pre-drilled holes at 8" centers. Following the alignment indicators setup in 3.3 attach the Micro Molding™ to the wall surface using Multilink Approved Screws. Make sure that the Micro Molding™ runs flush to the Fiber Feed Plug when mounting. Install the Micro Molding™ sections no more than 1/4" apart the necessary distance.

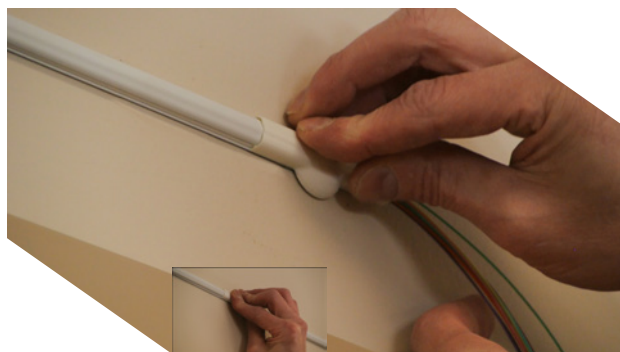


3.5 Prep 900µm Fiber

Plan each fiber length according to the location of each Fiber Feed Plug. Once allocated, gently pull the fiber through the Fiber Feed Stand allowing a comfortable amount of slack to place the 900µm fiber into the Micro Molding™.

3.6 Placing Fiber into the Micro Molding™

Place the needed length of fiber into the open Micro Molding™ and start closing the Micro Molding™ as you make your way across the full length of the Micro Molding™. **DO NOT DRAG FIBER THROUGH THE RACEWAY SYSTEM.** When desired entry is reached insert the correct fiber through the Fiber Feed Plug.



3.7 Access Deployment Accessories

Use the appropriate accessories along the Micro Molding™ path to cover exposed seams and to make the necessary transitions. Snap the accessories onto the Micro Molding™. Be sure to use end caps to avoid open ends.