



## Air Dam Kit w/ Brush Pass-Through Holes



### Description

Vericom Air Dams provide a cabinet-level containment solution to improve the efficiency of your cooling system. Our air dams are constructed of cold rolled steel panels that prevent hot air from re-circulating to the front of the cabinet. Each panel provides front-to-back cable routing via a removable brush opening, which can be replaced with a 1U patch panel for additional connectivity.

### Product Specifications

**Product Type:** Air Dam Kit

**Base Material:** Steel

**Top Panel:** Expandable

**Rack Unit Quantity:** See Chart Below

**Cable Pass-Through Openings:** Yes

**Mounting Hardware:** Included

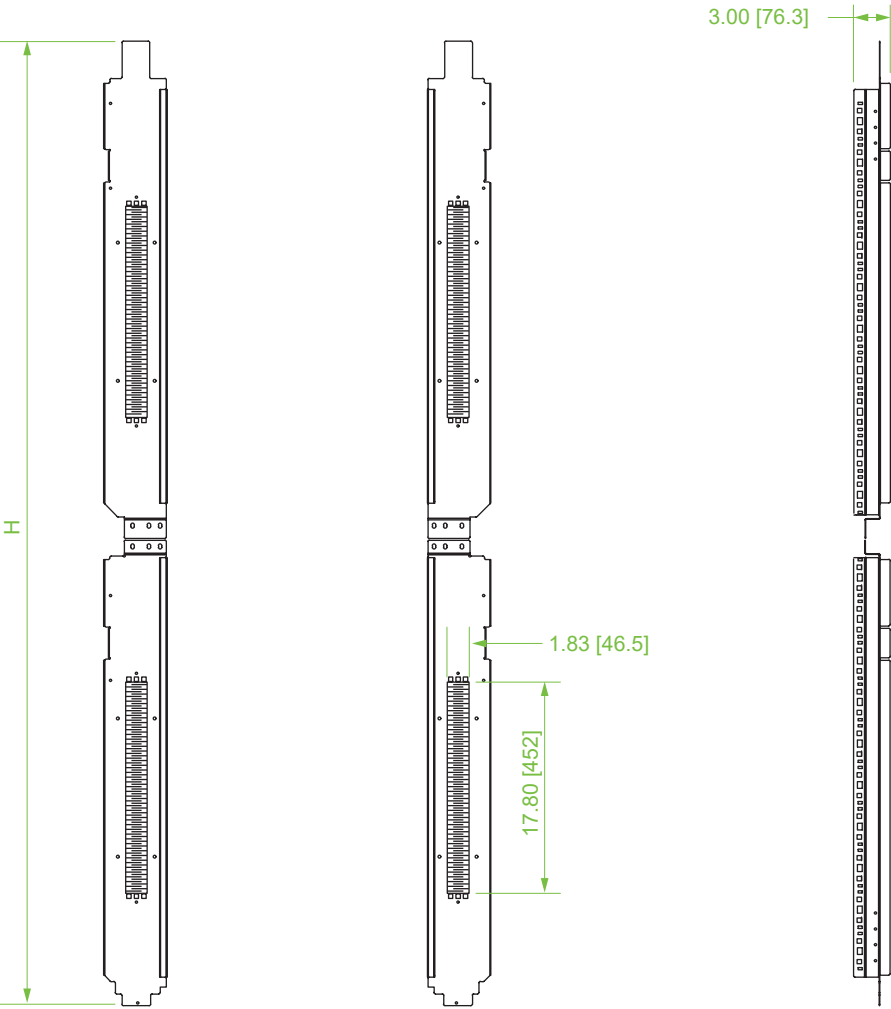
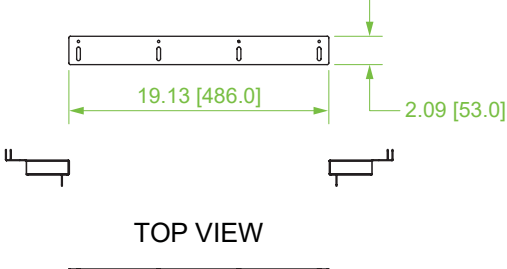
**Compatibility:** 31.5" Width Network Cabinets

**Quantity Per Package:** 1 (Sold Individually)

Item #	Rack Units
RAAD842	42U
RAAD845	45U
RAAD848	48U
RAAD852	52U



Air Dam Kit w/ Brush Pass-Through Holes



TECHNICAL SHEETS ARE SUBJECT TO CHANGE WITHOUT NOTICE.

REV.20250110.1